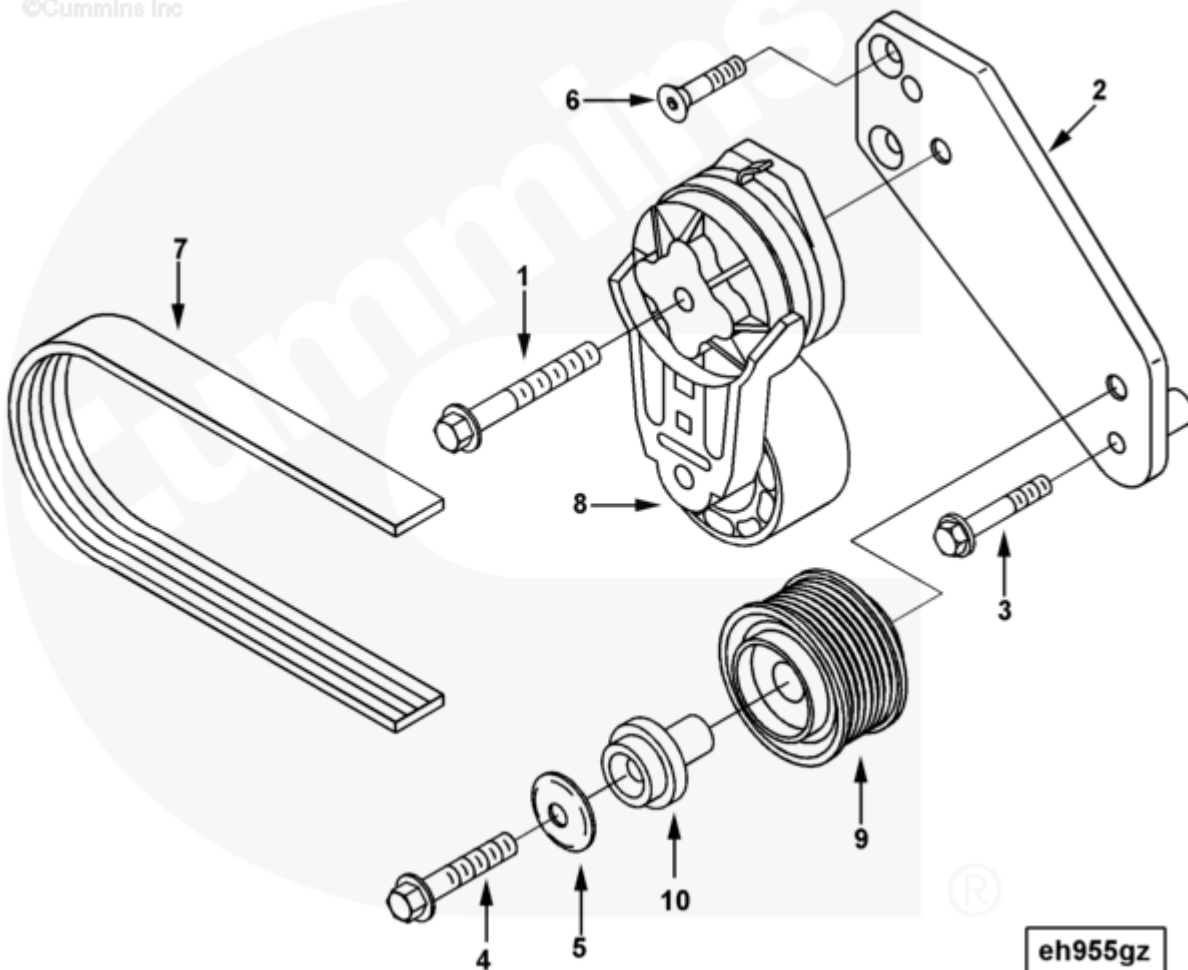




Parts Catalog - Option Detail

Electronic Parts Catalog - Option Detail				
Option	Group	Graphic	Film Card	Date
EH97355	13.02.3	eh955gz	Z	06-APR-01
Engines	6C8.3, C GAS PLUS CM556, G8.3, G8.3 CM558, GTA8.3 CM558, ISC CM2150, ISC CM554, ISC CM850, ISC8.3 CM2250, ISC8.3 G CM2180 C101, ISL CM2150, ISL CM554, ISL CM850, ISL G CM2180, ISL8.9 CM2150 L110, ISL8.9 CM2880 L112, ISL9 CM2150 SN, ISL9 CM2250, ISL9 CM2350 L101, ISL9 CM2350 L111, ISLE4 CM850, L GAS PLUS CM556, L8.9, L8.9 L121, L8.9G CMOH2.0 L125B, L9 CM2350 L116B, L9 CM2350 L119B, L9 CM2350 L120C, L9 CM2350 L123B, L9.3 L105, L9.5 L117, L9N CM2380 L124B, QSC8.3 CM2250, QSC8.3 CM2880 C102, QSC8.3 CM554, QSC8.3 CM850(CM2850), QSL9 CM2250, QSL9 CM2250 L115, QSL9 CM2350 L102, QSL9 CM2350 L107, QSL9 CM2350 L118, QSL9 CM2350 L122, QSL9 CM554, QSL9 CM850(CM2850), QSL9 G CM558, QSL9 M CM2250 L106, QSL9.3 CM2880 L113			



[SMALL](#) | [MEDIUM](#) | [LARGE](#)

Cart	Ref No	Part Number	Part Description	Required	Remarks
View My Cart					
		EH97355	Alternator Drive		MR - ALTERNATOR DRIVE...(More)

					Fan Drive Ratio: 1.00:1
					Fan Center (mm): 0.0
					Tensioner Position on
					Bracket: High
					Tensioner Mounting Holes:
					Single Set
					Tensioner Pulley Type:
					Standard
					Water Pump Pulley Diameter
					(mm): 88.00
					Alt Pulley Horizontal from
					Crank Centerline: 301.4
					Alt Pulley Vert from Crank
					Centerline 277.25
					Tensioner Mounting Location:
					Bracket on Cylinder Head
					Belt Supplier: Cummins
					Required Belt Length (mm):
					1435
					Belt Tensioner Supplier:
					Cummins
					Damper Pulley Effective
					Diameter (mm): 173.76
					Alternator Pulley Effective
					diameter (mm): 58
					Alternator Drive Ratio: 2.9
					Bracket Height from Mounting
					Hole (mm): 103
					Engine Design Phase: Current
					Product

					Tall Tensioner Bracket: No
					Engine Family: C Series
					Alternator Manufacturer /
					Model: Prestolite INA 5524/7
<input type="checkbox"/>	1	3282081	Hexagon Flange Head Cap Screw	1	M10 x 1.50 x 75
<input type="checkbox"/>	2	3284152	Belt Tensioner Bracket	1	
<input type="checkbox"/>	3	3900633	Hexagon Flange Head Cap Screw	1	M8 X 1.25 X 50
<input type="checkbox"/>	4	3910901	Hexagon Flange Head Cap Screw	1	M10 x 1.50 x 55
<input type="checkbox"/>	5	3935013	Dust Shield	1	
<input type="checkbox"/>	6	3925186	Flat Head Cap Screw	2	M8 x 1.25 x 25
<input type="checkbox"/>	7	3929330	V Ribbed Belt	1	
	8	3937553	Belt Tensioner	1	
<input type="checkbox"/>	9	3935015	Idler Pulley	1	
<input type="checkbox"/>	10	3935229	Idler Shaft	1	
<input type="checkbox"/>		3900631	Hexagon Flange Head Cap Screw	1	M8 X 1.25 X 25.